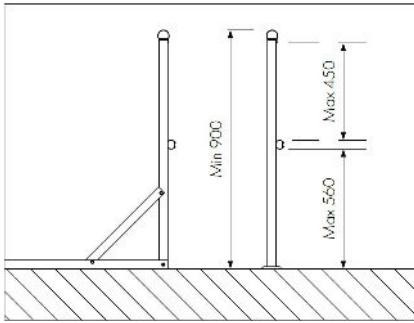


TECHNICAL DRAWING

Typical Walkway & Guardrail Requirements (From AS1657:2018 Standards)



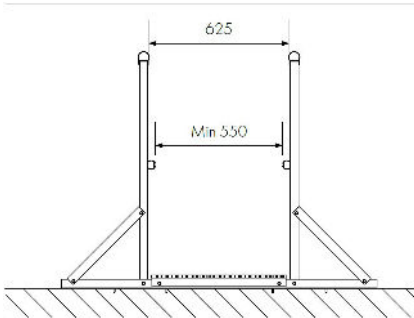
1.



Guardrail height

Minimum height for guardrail is 900mm from the walking surface.

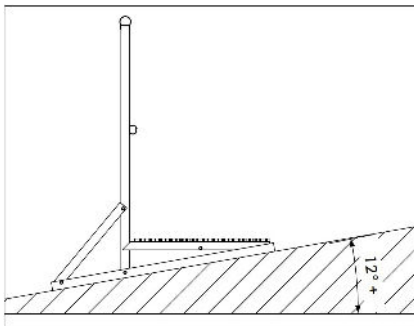
2.



Width between guardrails

Distance between guardrails, intermediate rails or toeboards shall not be less than 550mm
Minimum width of walkway must be 600mm.

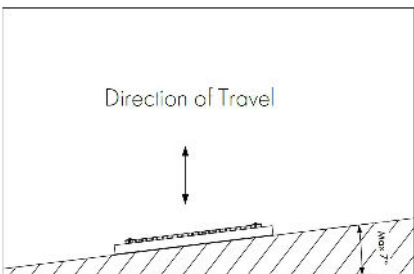
3.



Guardrail on sloping roofs (across slope)

Guardrail is required if the area adjacent to the walking area is 12° or greater.

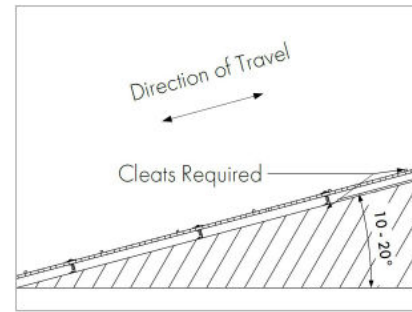
4.



Walking on sloping roofs (access slope)

Maximum cross slope of a walkway is 7° in the direction of travel. Preferred cross slope angle is 3°.

5.



Walking on sloping roofs (along slope)

Walkway can be used in the range from 0° - 20°. Any walkway slope from 10° - 20° will need cleats installed.

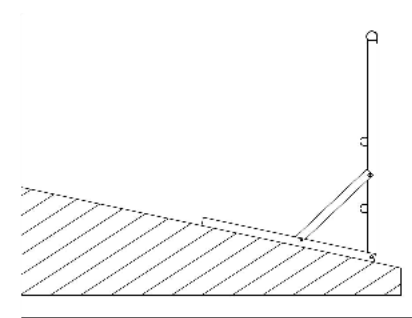
Cleat spacings:

Slopes 10° - 15° | 450mm

Slopes 15° - 18° | 400mm

Slopes 18° - 20° | 350mm

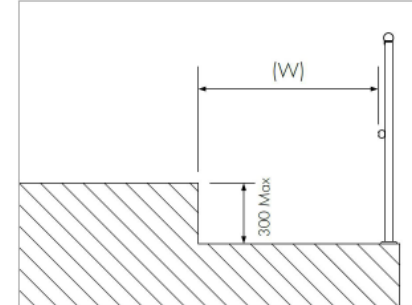
6.



Guardrail on sloping roofs

If there is guardrail on the edge of the roof where the slope is 12° or greater, a third rail is recommended.

7.



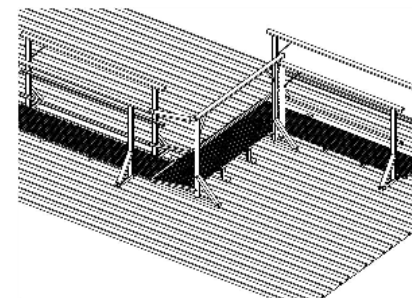
Guardrail on platforms

Height of guardrail to be as follows

1. Where width (W) is not less than 1000mm, height shall be min 900mm

2. Where width (W) is less than 1000mm, height shall be increased by 300mm.

8.



Walkway on sloping roofs (along slope)

On sloping walkways between 15° & 20°, a handrail shall be provided. Where there is a risk of a person rolling or sliding along the sloping surface of the walkway, the distance shall be limited to 18m (linear). A gate or change-in-direction is required.