

TECHNICAL DRAWING

Guardrail - Roof Mounted

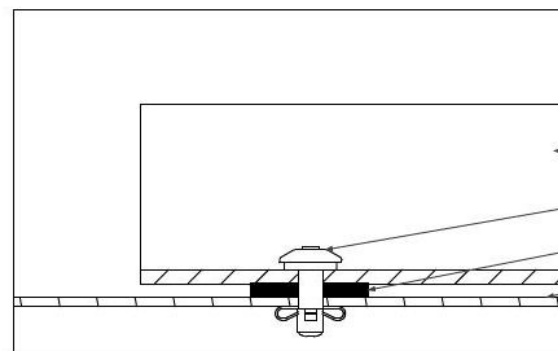
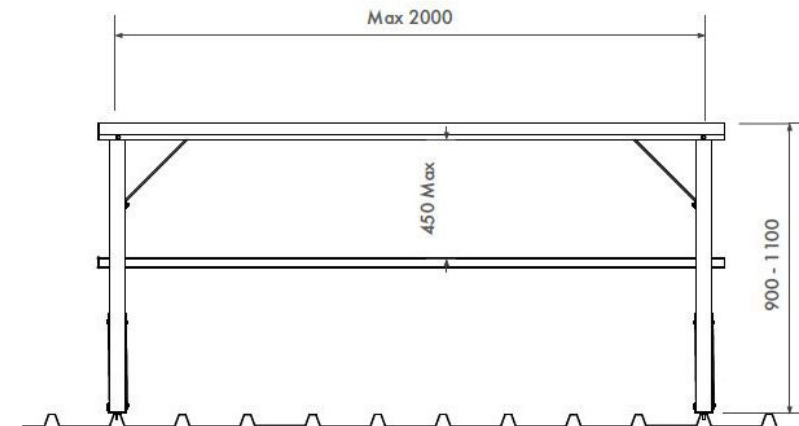
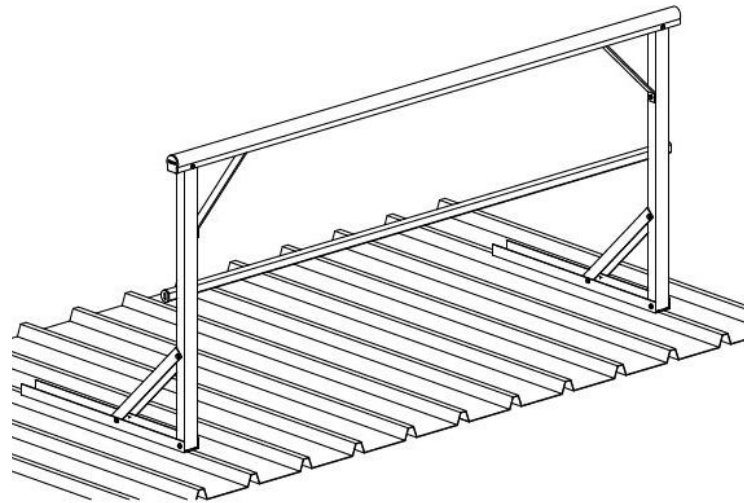


DETAILS

- A 3rd rail is recommended if the roof slope is above 12°
- A toe-board is required if an object can fall from a platform or walkway onto an area which persons have access to the area below.
- Installation to be according to manufacturers requirements.
- The system must be installed in accordance with AS 1657:2018.
- Code GW3

VISIT anchorsafe.com.au for

- more information
- real projects & case studies
- the latest height safety news, articles and industry updates

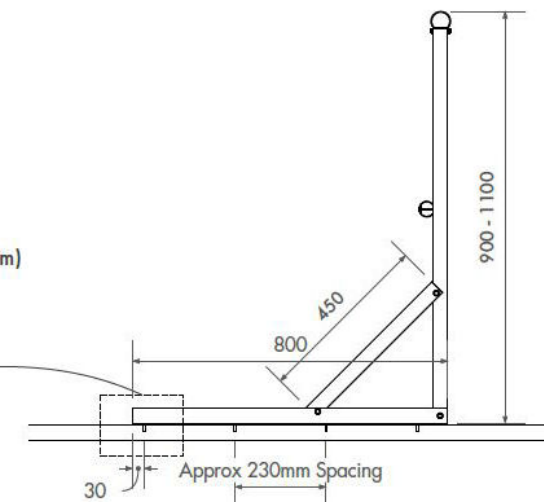


Main Support Channel (38 x 65 x 3mm)

5mm Bulb-tite Rivet

Nitrile foam seal

Roof deck



Let's talk

Talk to us today about a total care approach to height safety:

☎ 1300 475 186 ✉ sales@anchorsafe.com.au