

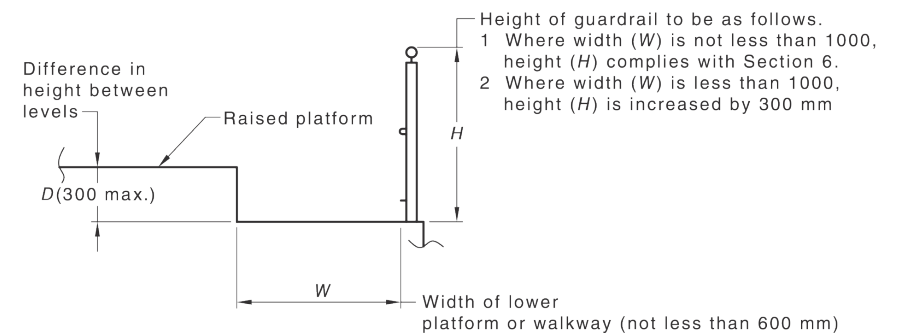
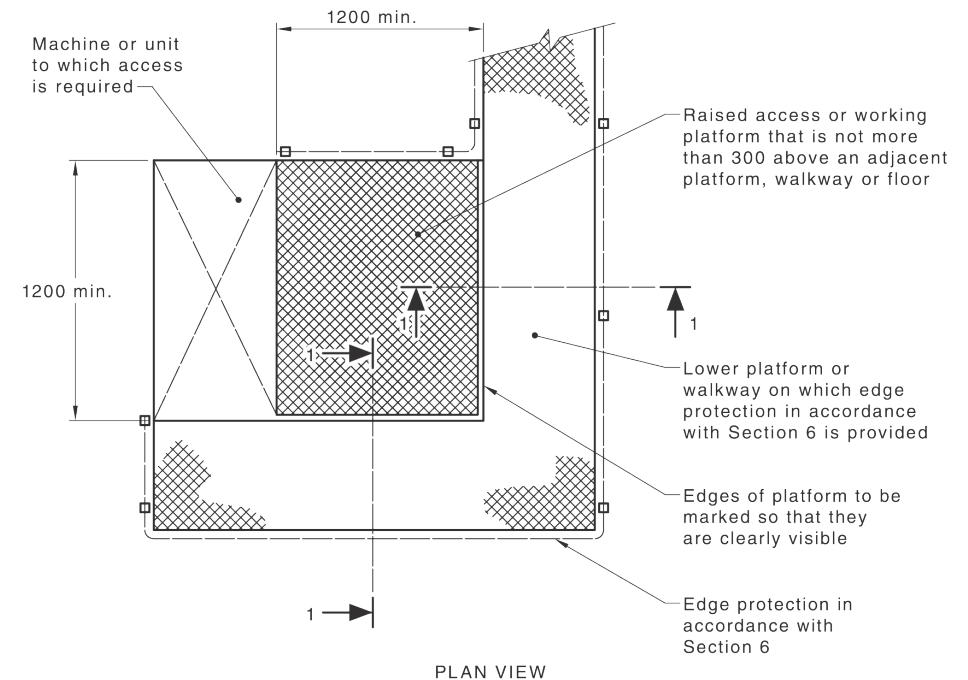
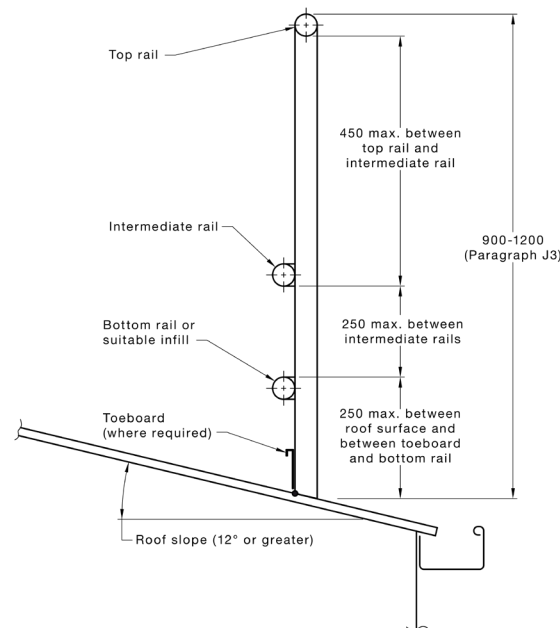
GUARDRAIL REQUIREMENTS

For Platforms & Suspended Walkway



DETAILS

- **Platforms Over 1000mm in Width:** Guardrail height must be at least 900mm from the walking surface.
- **Platforms Under 1000mm in Width:** Guardrail height must be at least 1200mm from the walking surface.
- **Suspended Walkway:** A suspended walkway (catwalk or gantry) must provide a minimum of 550mm between the innermost sections of the guardrails on either side



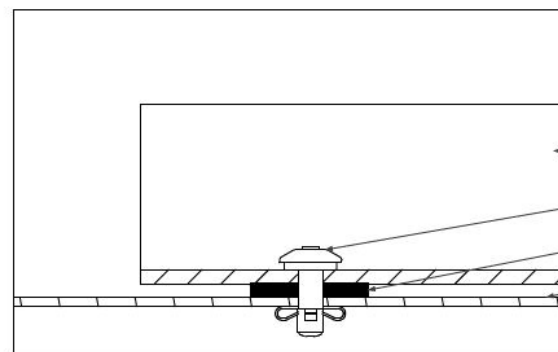
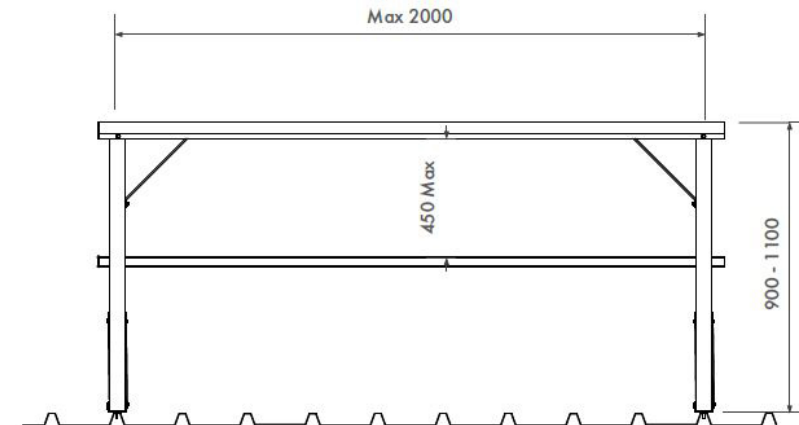
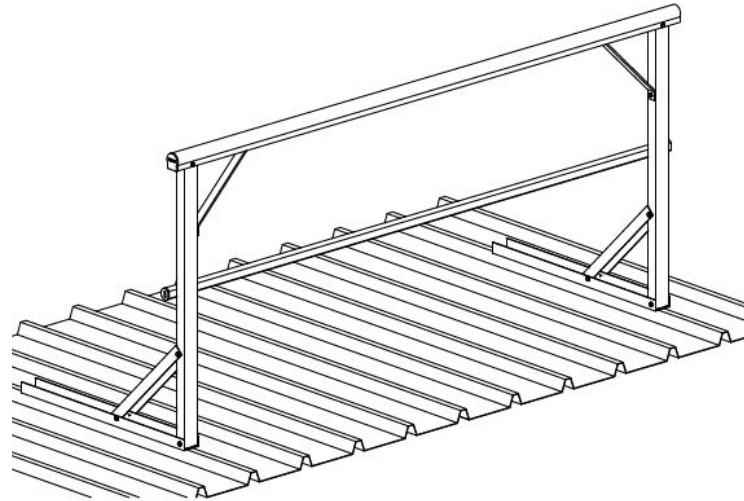
GUARDRAIL REQUIREMENTS

According to Australian Standards 1657:2018



DETAILS

- A 3rd rail is recommended if the roof slope is above 12°
- A toe-board is required if an object can fall from a platform or walkway onto an area which persons have access to the area below.
- Installation to be according to manufactures requirements.
- The system must be installed in accordance with AS 1657:2018 Standards.
- Code GW3

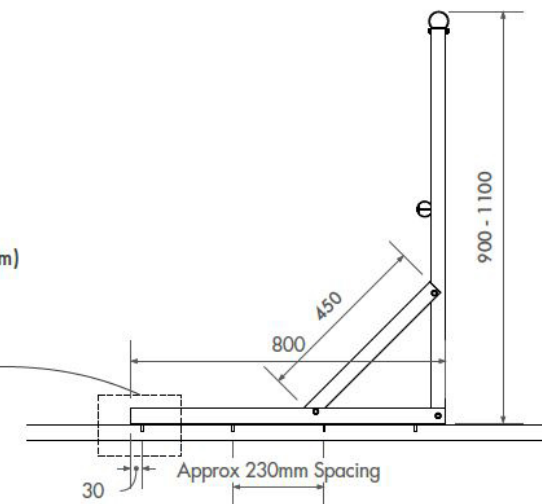


Main Support Channel (38 x 65 x 3mm)

5mm Bulb-tite Rivet

Nitrile foam seal

Roof deck



VISIT anchorsafe.com.au for

- more information
- real projects & case studies
- the latest height safety news, articles and industry updates